

MOUNTING PROCEDURE

KIT WINDSHIELD KAWASAKI Z650 '17

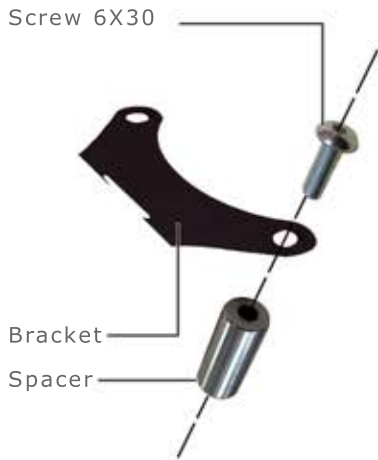
KN6300-17

WWW.BARRACUDAMOTO.COM

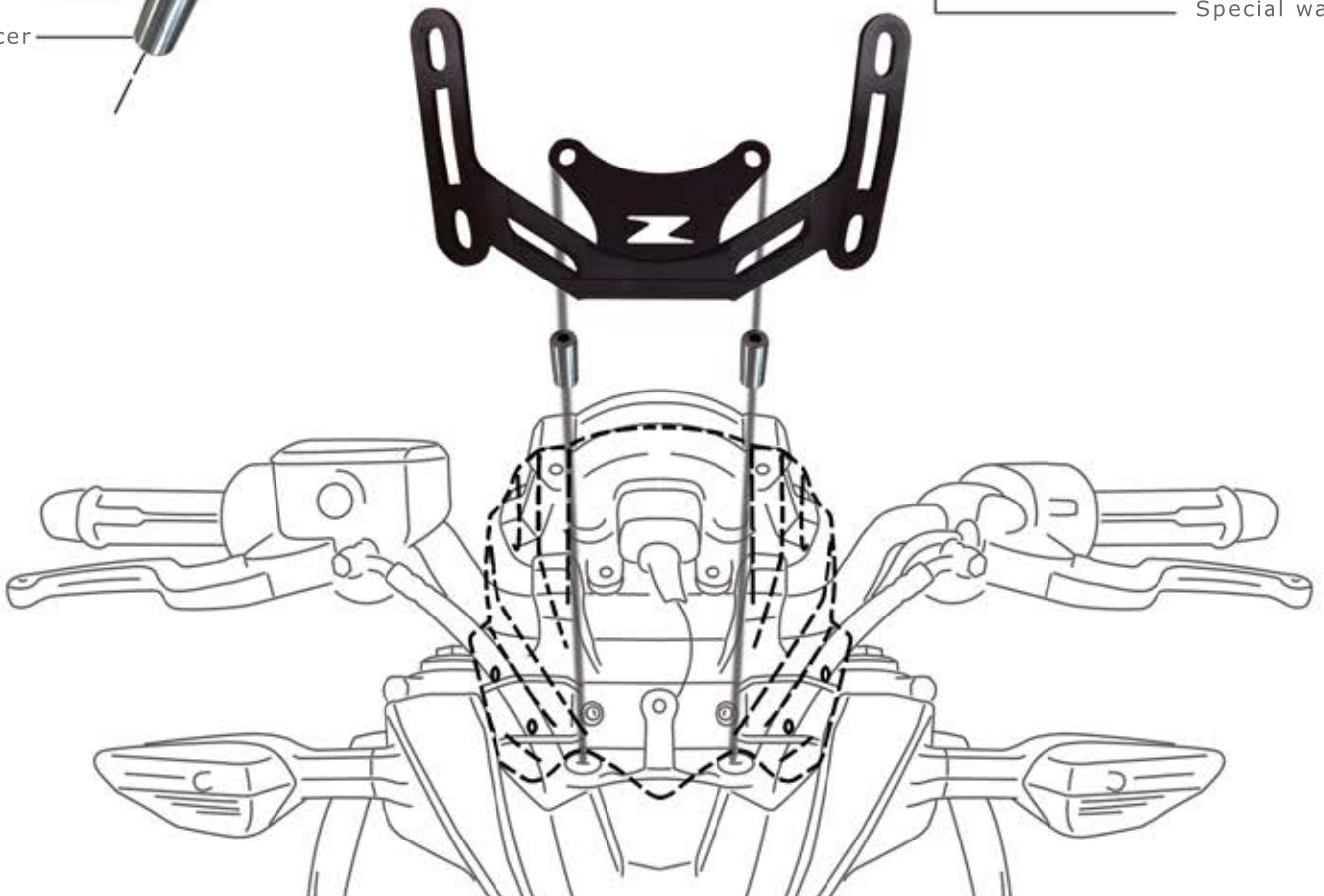
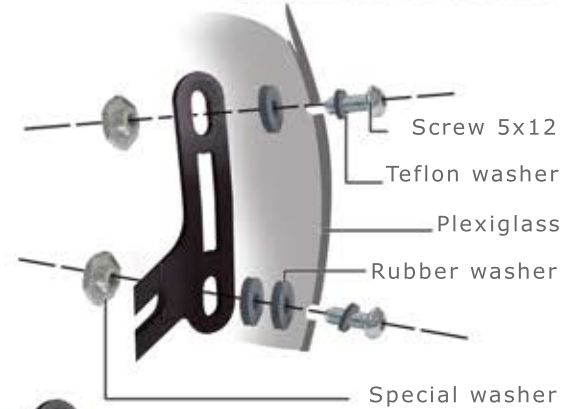
MOUNTING PROCEDURE:

- REMOVE THE ORIGINAL WINDSHIELD WITH RELATIVES BRACKET;
- APPROACH THE SPECIFIC BRACKET INTO THE HIGHLIGHTENED POINTS LOCKING TEH SCREWS 6X30 AND THE SPACER GIVEN LIKE THE SCHEME;
- RE-FIX ORIGINAL BRACKET AND WINDSHIELD AND PUT OVER THE BARRACUDA WINDSHIELD LOCKING ALL AS THE SCHEME;

MOTORBIKE FIXING



WINDSHIELD FIXING



NOTE: NOT LOCK TOO MUCH TO AVOID POSSIBLE P0LEXIGLASS BROKEN;